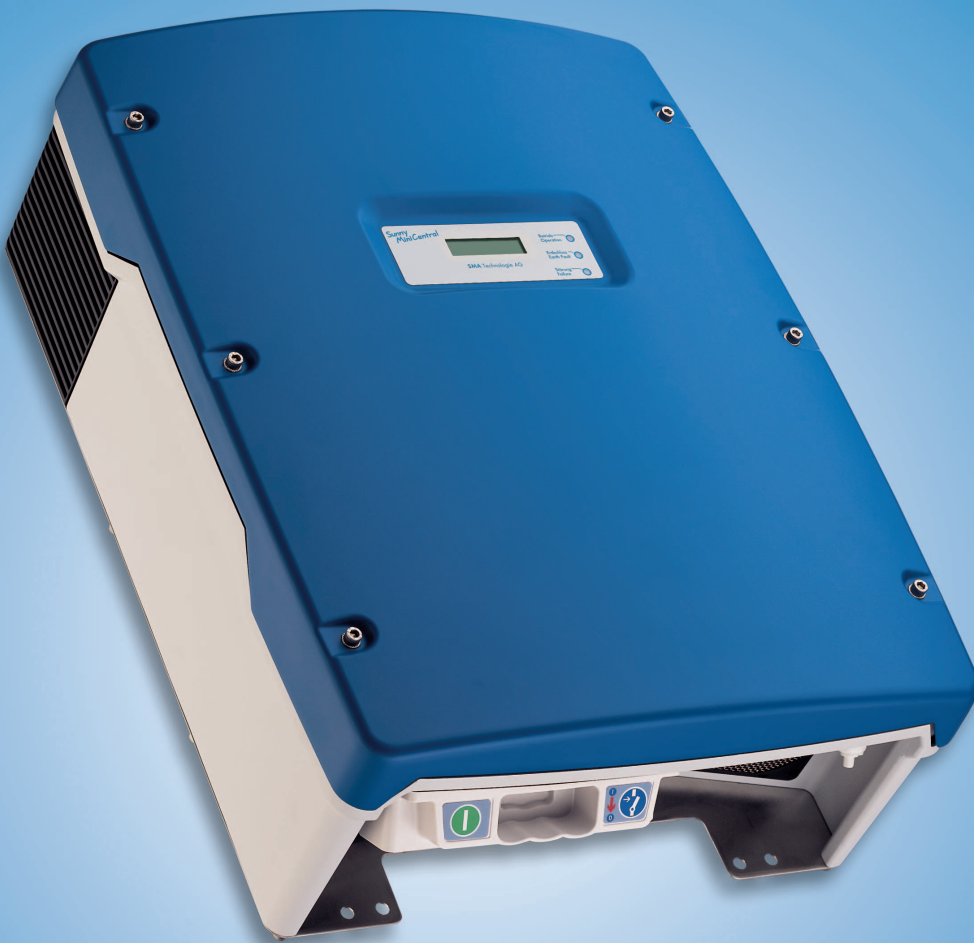


Sunny Mini Central

SMC 7000HV



Especially suitable for thin-film modules

Very good efficiency for an inverter with a transformer

OptiCool:
Maximum output in high ambient temperatures due to dual compartment cooling system

SMA grid guard 2:
Automatic disconnection

Galvanic isolation

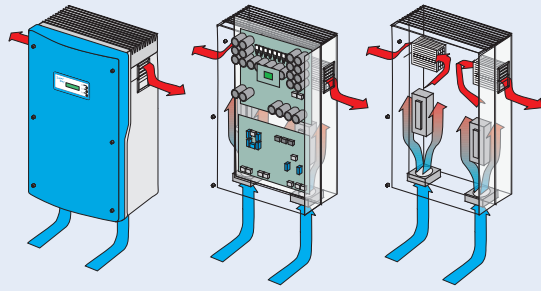
Electronic Solar Switch ESS:
Integrated DC circuit breaker (option)

Automatic 50 Hz / 60 Hz grid frequency detection

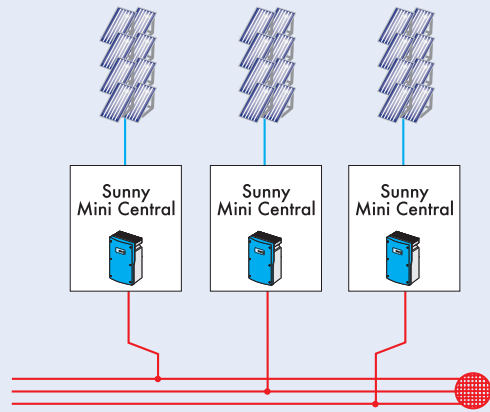
5 years SMA warranty

The SMC 7000 HV is not merely the big brother of the SMC 5000A and SMC 6000A with a higher output. With its extended input voltage range, electrical isolation between the PV modules and the power grid, and specific performance, this inverter is particularly suited to systems with thin-film modules.

At the same time, the SMC 7000HV offers all the advantages you have come to expect from other SMC inverters: Installation in close proximity to the generator and division of the system into several parts make for an easy set-up and detailed monitoring of the entire system.



OptiCool: Dual compartment cooling system for high nominal power at high ambient temperatures



Switching example of Sunny Mini Central (three phase grid connection)

Technical Data

Input data

Max. DC output
DC voltage range
Nominal operating voltage ($U_{PV, nom}$)
Max. MPP voltage ($U_{MPP, max}$)
Max. DC voltage ($U_{DC, max}$)
Max. input current ($I_{PV, max}$)
DC voltage ripple (U_{pp})
Max. no. of strings (parallel)
DC connection
Thermally monitored varistors
Ground fault monitoring
Reverse polarity protection

Output data

Permanent AC output ($P_{AC, max}$)
Nominal AC output ($P_{AC, nom}$)
Max. output current ($I_{AC, max}$)
Harmonic distortion of grid current
Nominal AC voltage ($U_{AC, nom}$)
Nominal AC frequency ($f_{AC, nom}$)
Power factor ($\cos \varphi$)
Short-circuit proof
Grid connection

Efficiency

Maximum efficiency (η_{Max})
European standard efficiency (η_{Euro})

Power electronics

Switching concept
Grid monitoring (DIN VDE 0126-1-1)
Number of supply phases

Housing

in accordance with DIN EN 60529
Cooling concept
Ambient temperature range (max.)

Mechanical data

Weight
Width / height / depth (mm)

Features

Communication
Display
Guaranty
DC isolator
System monitoring

SMC 7000HV

7500 W
335 V - 800 V
335 V
560 V
800 V
23 A
< 10 %
4
Plug connector (MC or Tyco)
yes
yes
Short circuit diode

7000 W
6650 W
31 A
< 4 %
220 V - 240 V
50 Hz / 60 Hz
1
yes, current regulation
AC terminal

96 %
95.3 %

Power transformer
SMA grid guard 2
1

IP65 (dust- and waterproof)
OptiCool
-25 °C to +60 °C

65 kg
468 / 613 / 242

Optional: RS232/RS485/radio
Standard: 2-line display
5 years (optional: 10 years)
Optional: ESS
Compatible e. g. with Sunny Boy
Control, Sunny Beam, Sunny WebBox
and Sunny Portal